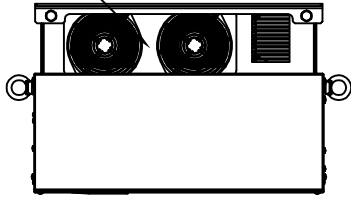
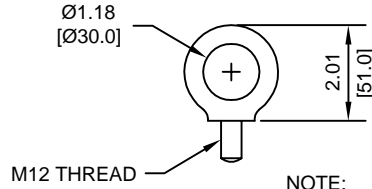


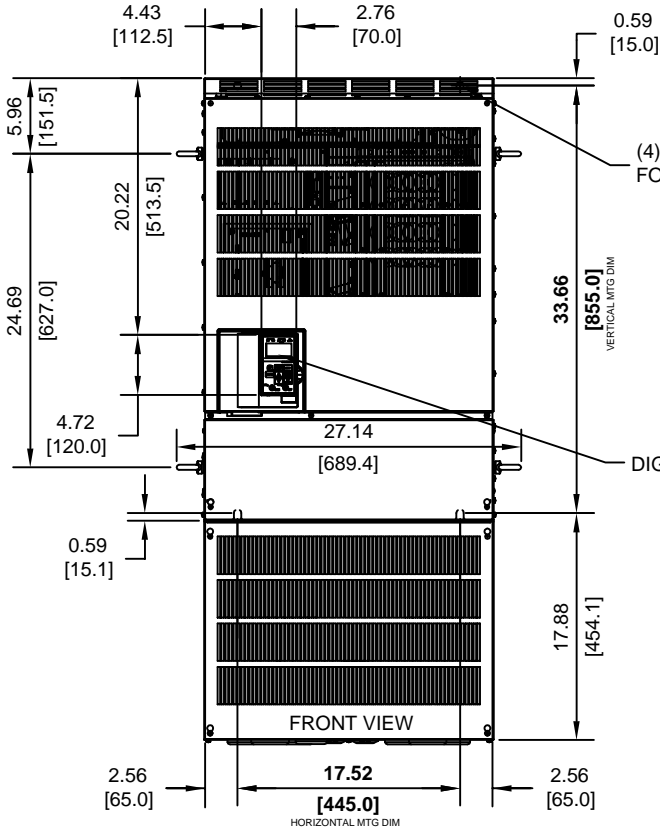
(2) EXTERNAL COOLING FANS



LIFTING AND EYEBOLT DETAILS



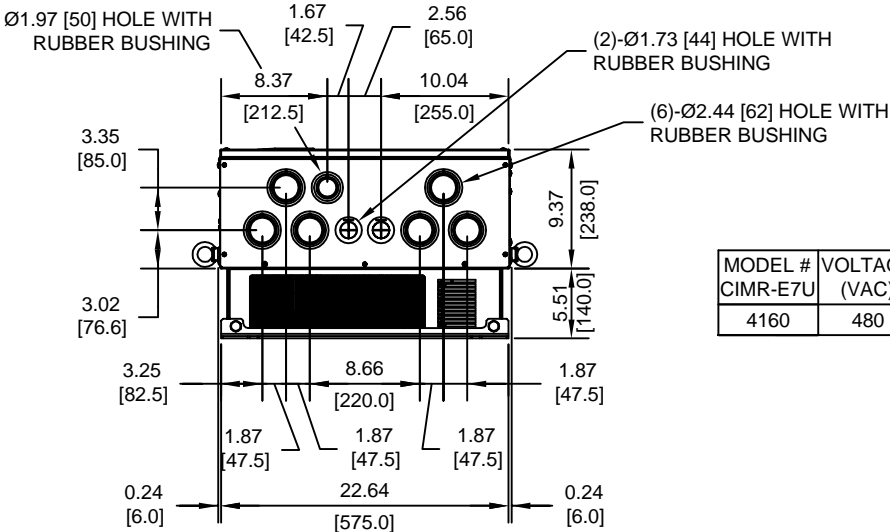
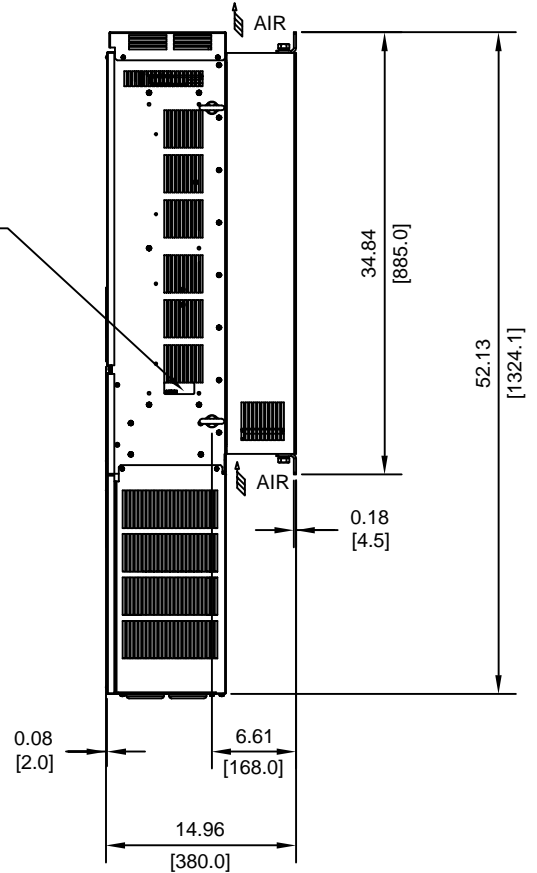
NOTE:  
SPREADER BAR REQUIRED TO AVOID DAMAGE DURING LIFTING



(4)-MOUNTING HOLES FOR 1/2" [M12] SCREWS

NAMEPLATE

DIGITAL OPERATOR



(2)-Ø1.73 [44] HOLE WITH RUBBER BUSHING

(6)-Ø2.44 [62] HOLE WITH RUBBER BUSHING

MODEL #	VOLTAGE (VAC)	OUTPUT CURRENT (A)	WEIGHT LBS (Kg)	HEAT LOSS (W)		
				INT	EXT	TOTAL
CIMR-E7U 4160	480	304	374 (170)	1144	2791	3935

INT=INTERNAL COMPONENTS  
EXT=EXTERNAL HEATSINK

FOR ADDITIONAL DETAILS AND SPECIFICATIONS, CONSULT MANUAL

TOLERANCES/REFERENCES:

UNITS: IN[mm]      SCALE: 1:15

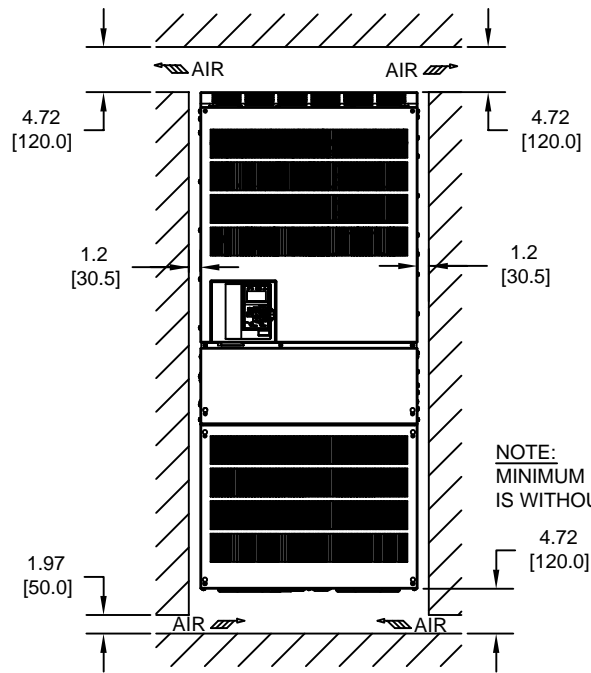
**YASKAWA**  
A World of Automation Solutions™

YASKAWA ELECTRIC AMERICA, INC.  
Corporate Headquarters  
2121 Norman Drive South  
Waukegan, IL 60085  
1-800-YASKAWA  
http://www.yaskawa.com

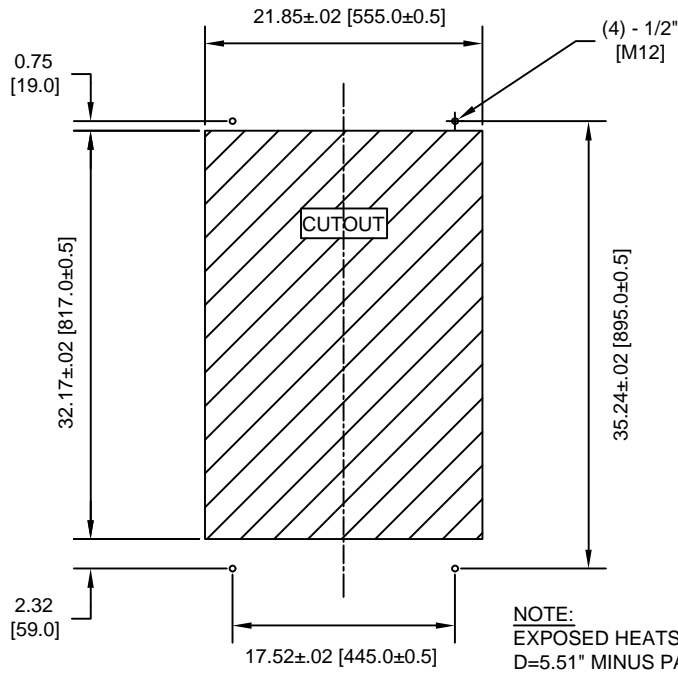
DRAWN: J. MATTAS	DATE: 3-30-05	TITLE: E7 DIMENSION DRAWING		
CHECKED: M. RUCINSKI	DATE: 5-3-05	FRAME SIZE 13		
TECH: J. CAIRO	DATE: 3-31-05	NEMA TYPE 1/IP20 ENCLOSURE		
APPROVED: T. SASADA	DATE: 6-8-05	SIZE: A	REVISION: R01	PAGE: 1 of 3
ORIGINAL DESIGN: -	DATE: -	DRAWING #: DD.E7.FR13.N1.01		




MINIMUM INSTALLATION CLEARANCES (SCALE 1:20)



PANEL CUTOUT FOR EXTERNAL HEATSINK MOUNTING CONFIGURATION (SCALE 1:15)



FOR ADDITIONAL DETAILS AND SPECIFICATIONS, CONSULT MANUAL

TOLERANCES/REFERENCES: - - - - - - - - - -		 <b>YASKAWA</b> <i>A World of Automation Solutions™</i> <b>YASKAWA ELECTRIC AMERICA, INC.</b> Corporate Headquarters 2121 Norman Drive South Waukegan, IL 60085 1-800-YASKAWA <a href="http://www.yaskawa.com">http://www.yaskawa.com</a>	DRAWN: <b>J. MATTAS</b> DATE: <b>3-30-05</b>	TITLE: <b>E7 DIMENSION DRAWING</b>
UNITS: <b>IN[mm]</b>	SCALE: <b>BY VIEW</b>		CHECKED: <b>M. RUCINSKI</b> DATE: <b>5-3-05</b>	DATE: <b>5-3-05</b>
		TECH: <b>J. CAIRO</b> DATE: <b>3-31-05</b>	DATE: <b>3-31-05</b>	REVISION <b>R01</b>
		APPROVED: <b>T. SASADA</b> DATE: <b>6-8-05</b>	DATE: <b>6-8-05</b>	PAGE <b>3 of 3</b>
		ORIGINAL DESIGN: -	DATE: -	DRAWING #: <b>DD.E7.FR13.N1.01</b>